

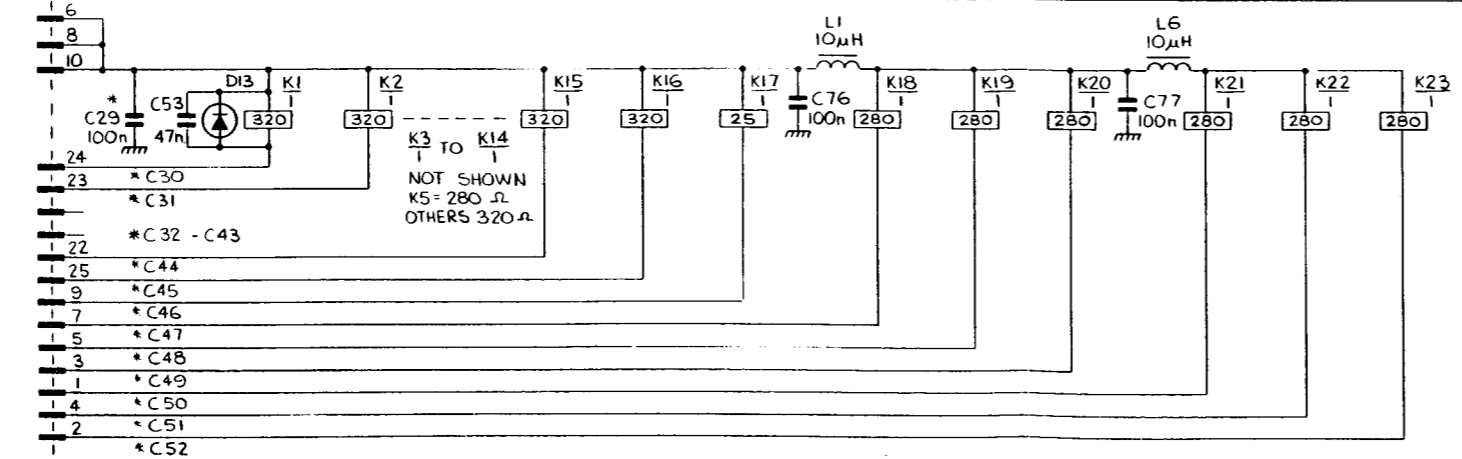
KEY TO LOAD RELAYS  
(1 = RELAY ENERGISED)

LOAD	K5	K4	K3	K2, K1
5-6	0	0	0	0
8-7	0	0	0	1
12-5	0	0	1	0
17	0	0	1	1
22	1	0	0	0
35	1	0	0	1
50	1	0	1	0
68	1	0	1	1
90	1	1	0	0
140	1	1	0	1
200	1	1	1	0
270	1	1	1	1

ISSUE B  
C/R 20848  
21-2-86  
ISSUE 1  
RELAY TABLE ADDED  
C/R 20848  
27/2/86  
ISSUE 2  
C/R 21190  
28/4/87

P1 PIN NO	BY PASS CAPACITOR	TO RELAY	PARALLEL CAP	DIODE	FUNCTION
1	C50	K21	C73	D33	SELECT ANT 2
2	C52	K23	C75	D35	33pF SHUNT
3	C49	K20	C72	D32	11.4μH
4	C51	K22	C74	D34	68pF SHUNT
5	C48	K19	C71	D31	11μH
6	C29				+2V
7	C47	K18	C70	D30	11μH
8	C29				+12V
9	C46	K17	C69	D29	33μH
10	C29				+12V
11	C36	K7	C59	D19	0.06μH
12	C35	K6	C58	D18	TEST PHASE
13	C39	K10	C62	D22	2.85μH
14	C40	K11	C63	D23	0.12μH
15	C41	K12	C64	D24	0.25μH
16	C42	K13	C65	D25	0.5μH
17	C37	K8	C60	D20	33pF SERIES
18	C43	K14	C66	D26	1μH
19	C34	K5	C57	D17	LOAD
20	C33	K4	C56	D16	LOAD
21	C32	K3	C55	D15	LOAD
22	C44	K15	C67	D27	1.42μH
23	C31	K2	C54	D14	LOAD
24	C30	K1	C53	D13	LOAD
25	C45	K16	C68	D28	5.7μH
26	C38	K9	C61	D21	68pF SERIES

FROM CONTROL PCB  
04-02960



- NOTES:
- ALL RELAY COILS HAVE 47nF CAPACITORS (C53 - C75) & DIODES (D13 - D35) IN PARALLEL WITH THEM. SEE K1 FOR EXAMPLE.
  - ALL DIODES IN 914 OR EQUIVALENT UNLESS SHOWN OTHERWISE.
  - RELAY K17 IS MAGNECRAFT W88KDX-3 MODIFIED TO CODAN 08-02986
  - RELAYS K18, K22 & K23 ARE MODIFIED ASTROL E3201 12V
  - RELAYS K5, K19, K20 & K21 ARE ASTROL E3201 12V
  - RELAYS K1 - K4 & K6 - K16 ARE OMRON G2L-113P-VDC12V OR SIEMENS V23027-80002-A10

C29-C52  
100n  
ALL LINES TO RELAYS  
HAVE 100nF BYPASS  
CAPACITORS AT PLUG

CODAN	SCALE	DATE	TITLE
	DRN	16-12-85	4203 AUTO. ATU
MATERIAL	CHKD	3-3-86	RF BOARD & CHASSIS
	APPD		
FINISH	UNLESS OTHERWISE STATED	DRAWING/DOC NO.	
	2 PLACES DEC + 1 PLACE DEC + ANGULAR ±	04-02038	
ISS		SHI	OR

02-00743

COPYRIGHT © CODAN 1985